

# duraflo® INSTALLATION GUIDE

Installation of Duraflo **WeatherPRO® PRO50 or PRO75 Roof Vent** should comply with all local standards and regulations. Before beginning a job, determine how much ventilation is required in both soffit and roof vents and what sizes of vent would best suit the job. If required, refer to Duraflo Ventilation Calculator for guidance.

## For New Construction or Re-Roofing

### 1. Determine the location of vents:

Evenly space the roof vents along the width of the roof, marking the location of all roof vents before cutting holes. Centre the holes between the rafters within two feet (24") (61 cm) from the peak of the roof.

### Cut and prepare the opening:

Cut the holes in the sheathing before applying shingles, for PRO50 cut a 7-1/4" x 7-1/4" (18.4 cm x 18.4 cm) opening, for the PRO75 cut a 9-1/2" x 9-1/2" (24 cm x 24 cm) opening. Shingle up until the first full course of shingles covers the bottom of the hole. Cut the excess shingles away from the hole.

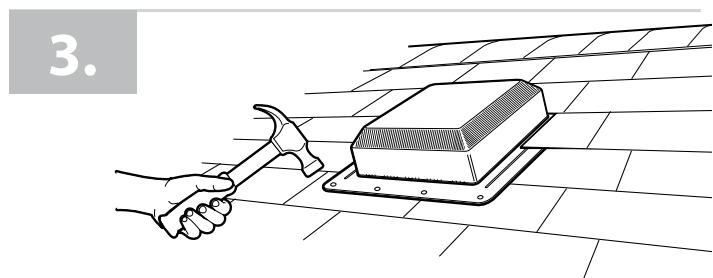
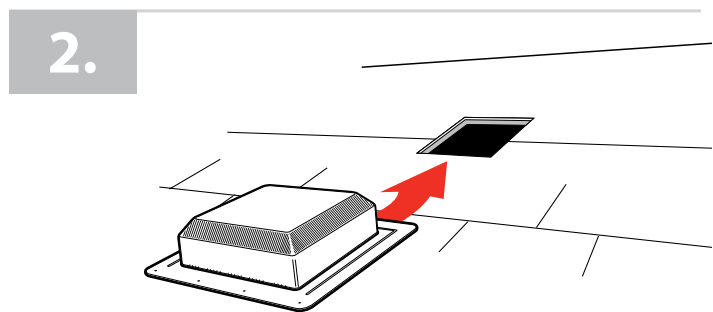
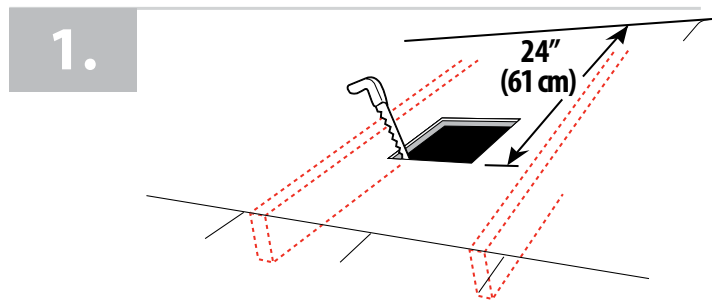
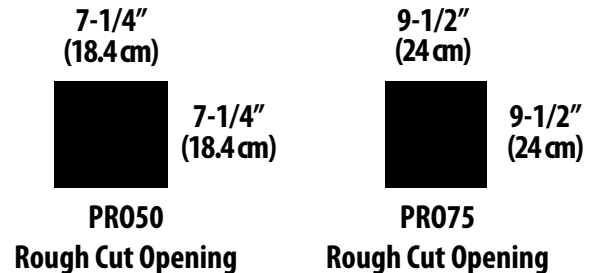
### 2. Position the vent and nail the vent in place:

Duraflo Roof Vents have a top arrow indicator. Make sure the throat of the vent is in the proper position centered over the opening. Using the pre-marked nail holes, nail the vent securely into place.

### 3. Complete the shingle installation:

Continue installing shingles, overlapping the flange of the vent. Cut the shingles around the top of the vent to match its shape.

**Caution:** DO NOT USE roofing cement / roofing tar to seal the vent to the roof. The wide flange and molded-in water guards will force the water down the roof over the shingles. The polypropylene flange is large enough and flexible enough to effectively self seal against the roof without the aid of roofing tars. Roofing tars are potentially damaging to the roof vent and the asphalt shingles. Use of roofing tar will void any warranty on the Duraflo Roof Vents. Optional: Seal all nail heads with an approved sealant, such as silicone. Make sure the sealant is a non-petroleum product (usually available in a plastic tube).



Canplas Industries Ltd.  
500 Veterans Drive, P.O. Box 1800  
Barrie, Ontario, Canada L4M 4V3  
Tel. (705) 726-3361  
Toll Free 1-800-461-5300  
Fax: (705) 726-2186

[www.duraflo.com](http://www.duraflo.com)

**canplas®**