

KAYCAN

urbanix

KAYCAN

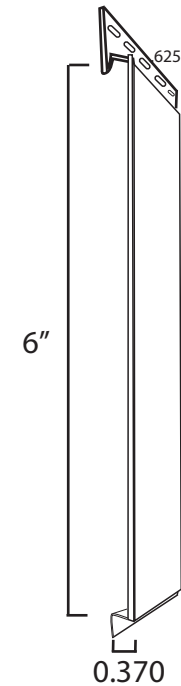
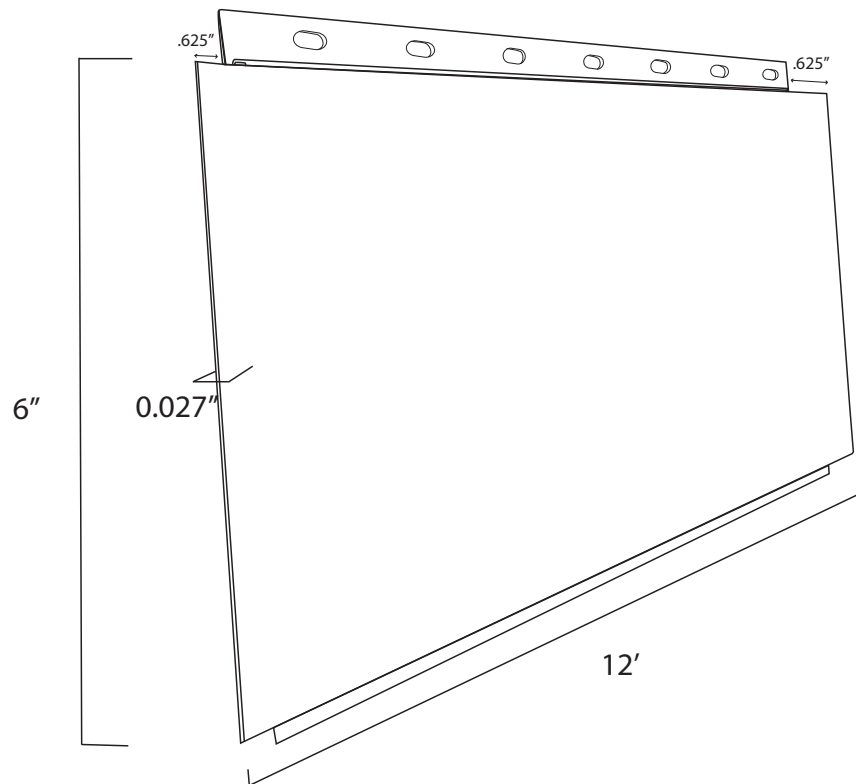
Head Office: 3075 Trans-Canada HWY

Pointe-Claire, QC

H9R 1B4 Canada

Customer Care: (514) 694-5855

www.kaycan.com



NOTES:

1. INSTALLATION TO BE IN ACCORDANCE WITH MANUFACTURER'S SPECIFICATIONS.
2. DO NOT SCALE PRINTED DRAWING.
3. THIS DRAWING INTENDED FOR USE BY ARCHITECTS, ENGINEERS, CONTRACTORS, CONSULTANTS AND DESIGN PROFESSIONALS FOR PLANNING PURPOSES ONLY.
4. CONTRACTOR'S NOTE: FOR PRODUCT AND COMPANY INFORMATION VISIT: WWW.KAYCAN.COM

NOTES: urbanix Panel