

## Board and Batten Technical Bulletin

FIGURE 1

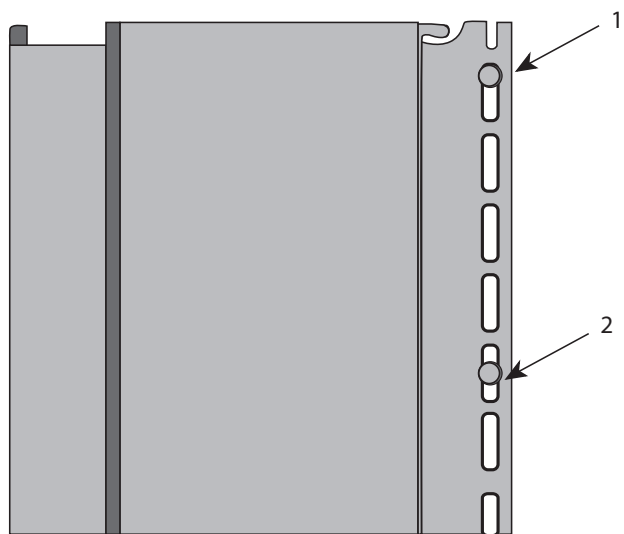


FIGURE 2

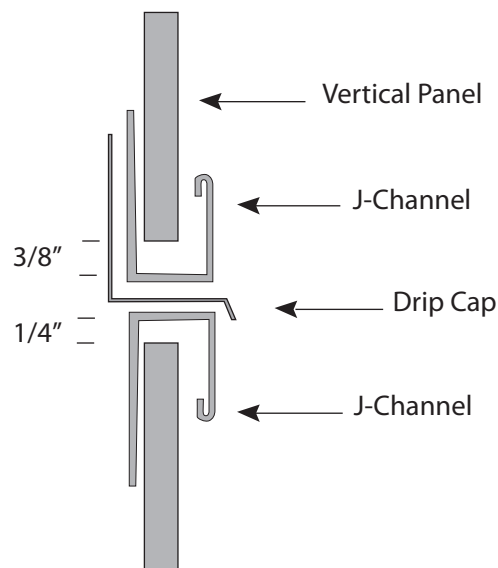
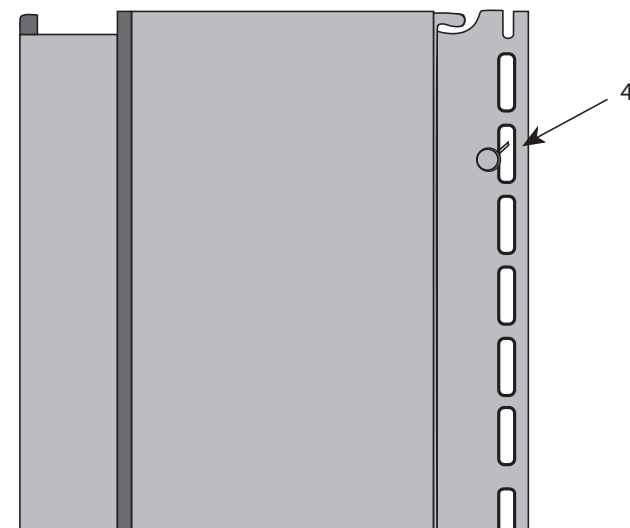


FIGURE 3



Working from the starter strip to the corners, lock each panel and fasten every 12”.

1. Place the first fastener in the uppermost end of the top nail slots to hold panel in position.
2. Place all other fasteners in the center of the slots. Fasten every 12”

3. Allow proper clearance around all horizontal joints - including windows, doors, and other obstacles. See image 2

4. Leave 1/32” to 1/16” clearance between nail head and siding panel.

Note: B&B vertical siding needs to be installed on a smooth, fast surface without the use of strapping or with the use of underlayment to provide the flat and smooth surface.

Please refer to complete vinyl siding installation guide before starting. Installation instructions must be followed any deviation will render the warranty null and void.