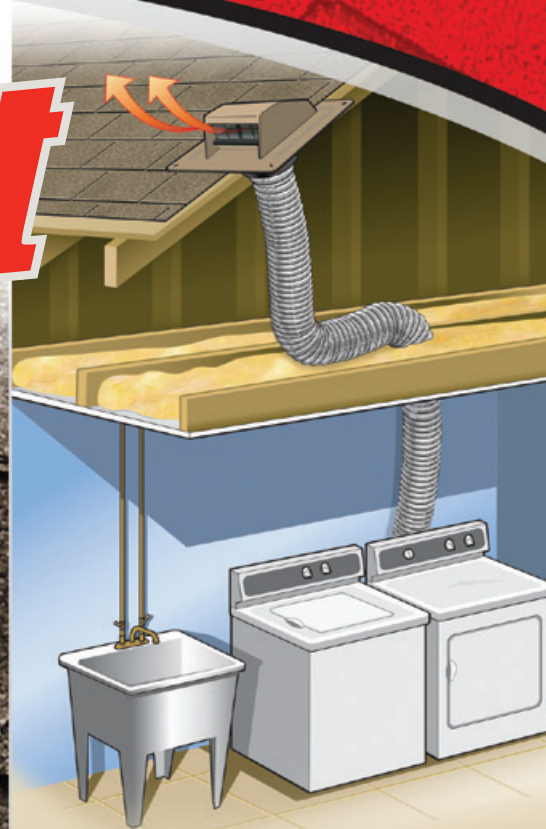


# duraflo<sup>®</sup> Roof Dryer Vent

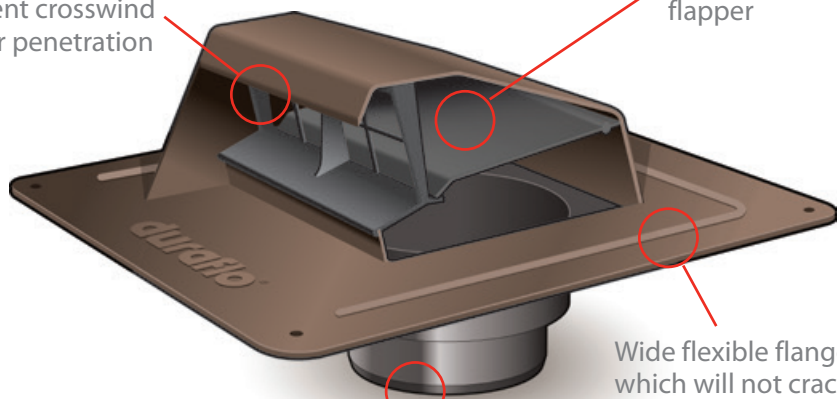


***Ideal for condominiums, townhouses, apartment buildings and homes with an upstairs laundry room.***

- ***Excellent UV Performance***
- Leakproof, seamless outer shell
- Attractive low profile styling
- Unique chatterless flapper
- Flexible flange which will not crack on installation, even in extreme cold
- Available in Black and Brown and Weatherwood\*

Extended sidewalls prevent crosswind water penetration

Unique chatterless flapper



Wide flexible flange which will not crack on installation

With & without collar options available

[www.duraflo.com](http://www.duraflo.com)

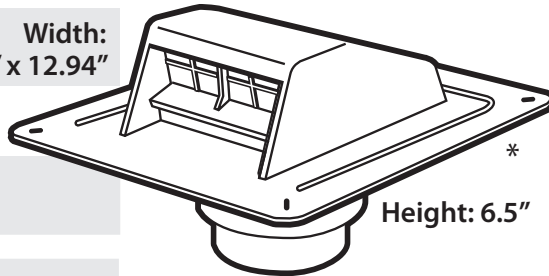
1-800-461-5300

**canplas<sup>™</sup>**



# **duraflo**® Roof **DryerVent**

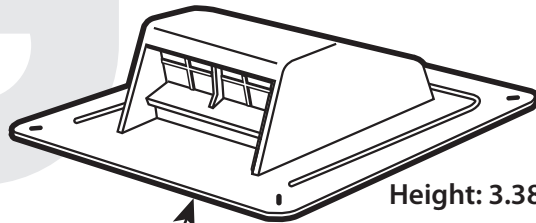
Width:  
10.96" x 12.94"



Height: 6.5"

## ROOF DRYER VENT - With Flapper & Attached Collar

DESCRIPTION	PART #	CTN. QTY.
Black	6013BL	6
Brown	6013BR	6
Weatherwood	6013WW	6

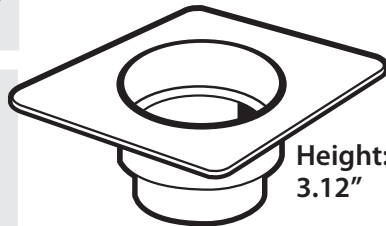


Height: 3.38"

## ROOF DRYER VENT - With Flapper Only

DESCRIPTION	PART #	CTN. QTY.
Black	6012BL	4
Brown	6012BR	4

Throat Opening:  
5.75" x 5.38"



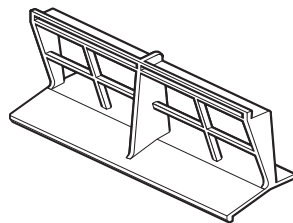
Height:  
3.12"

## ADAPTER COLLAR

- For Bathroom & Dryer Exhaust Vents

DESCRIPTION	PART #	CTN. QTY.
Black	6010-1BC	8

Attaches any 4" or 5" duct or pipe to Duraflo Bathroom Exhaust Vent or Roof Dryer Vent



## ROOF DRYER GRILL

DESCRIPTION	PART #	CTN. QTY.
Black	6012-2BC	12

Used to convert a Duraflo Bathroom Exhaust Vent (6008, 6010, 6011) to a Roof Dryer Exhaust Vent without replacing the vent body.

The Duraflo Dryer vent is ideal for condominiums, townhouses, apartment buildings and homes with an upstairs laundry room. Designed with low profile styling and quiet, consistent performance. Our unique flapper prevents chattering while our deep grill design prevents even the worst rain gust from entering. Duraflo, developing products that meet your needs.

**Canplas Industries Ltd.**  
500 Veterans Dr., P.O. Box 1800  
Barrie, Ontario  
Canada L4M 4V3  
Tel: (705) 726-3361  
Fax: (705) 726-2186  
Toll Free: 1-800-461-5300

**duraflo**®  
WE KNOW VENTILATION

E-mail: [duraflo@canplas.com](mailto:duraflo@canplas.com)  
[www.duraflo.com](http://www.duraflo.com)

**canplas**®