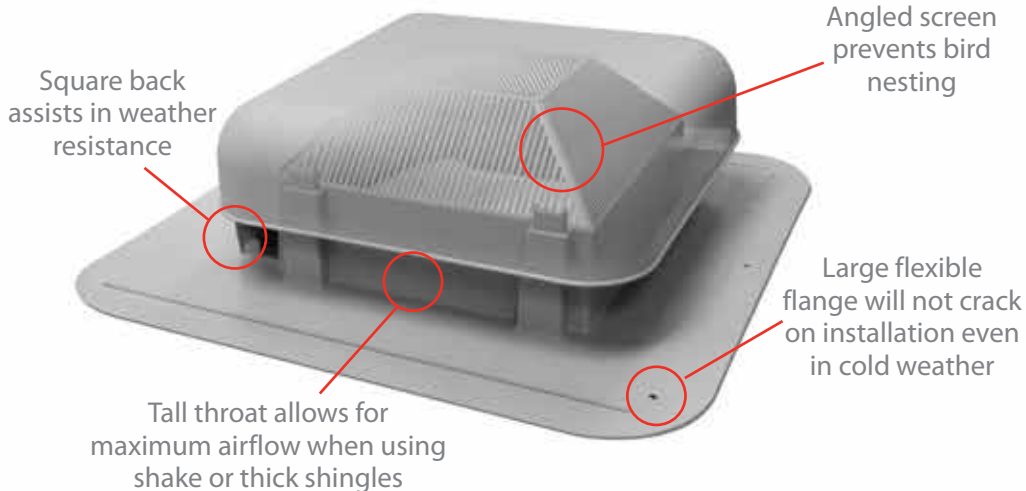


# **duraflo**<sup>®</sup> **6050T** Tall Roof Vent



## **The Vent for Shake or Thick Shingles**

- 50 sq. in. of net free area
- Available in four colors, Black, Brown, Grey and Weatherwood
- CSA & TDI approved
- Designed for the hottest summers and the coldest winters
- Suitable for roof pitches from 3/12 to 12/12
- Cold impact resistant to -40°



**TDI**  
Texas Department of Insurance

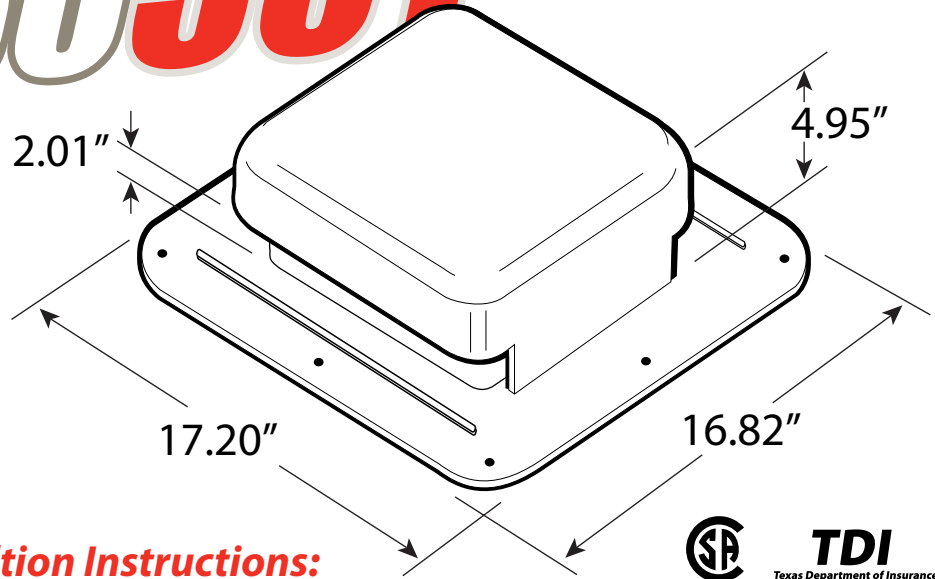
[www.duraflo.com](http://www.duraflo.com)

1-800-461-5300

**canplas**<sup>®</sup>

®  
DURAFLUO

# duraflo® 6050T Tall Roof Vent



## Installation Instructions:



**TDI**  
Texas Department of Insurance

**Step 1:** Mark the desired location of all roof vents before cutting holes. Center the holes between the rafters within two feet (24") from the peak of the roof. The hole must be 7.5" square for a 50 square inch vent. Your cuts must be within a quarter-inch of the instructed size.

**Step 2:** Cut the holes in the sheathing before applying shingles. Shingle up until the first course of shingles covers the bottom of the hole. Cut excess shingles away and install the roof vent using the pre drilled or marked nail holes. The tops of all Duraflo roof vents are marked top for proper installation.

**Step 3:** The wide flange and molded-in water guards will force the water down the roof over the shingles. The polypropylene flange is large enough and flexible enough to effectively seal itself against the roof without the aid of roofing tars. Petroleum based roofing tars are potentially damaging to the roof vent and asphalt shingles. Use of petroleum based roofing tar will void any warranty on Duraflo Roof Vents. If a secondary sealant is necessary, use an appropriate non-petroleum product, such as silicone. Continue installing shingles, overlapping the flange on the vent. Cut the shingles around the top of the vent to match its shape.

Net Free Area	Description	PART #	Size	CTN. QTY.
50 Sq. In.	Black	6050TBL	17.20" x 16.82" x 4.95"	12
50 Sq. In.	Brown	6050TBR	17.20" x 16.82" x 4.95"	12
50 Sq. In.	Gray	6050TG	17.20" x 16.82" x 4.95"	12
50 Sq. In.	Weatherwood	6050TWW	17.20" x 16.82" x 4.95"	12

**Canplas Industries Ltd.**  
500 Veterans Dr., P.O. Box 1800  
Barrie, Ontario  
Canada L4M 4V3  
Tel: (705) 726-3361  
Fax: (705) 726-2186  
Toll Free: 1-800-461-5300

**duraflo®**  
WE KNOW VENTILATION

E-mail: [duraflo@canplas.com](mailto:duraflo@canplas.com)  
[www.duraflo.com](http://www.duraflo.com)

**canplas®**