

duraflo[®] PRO 75

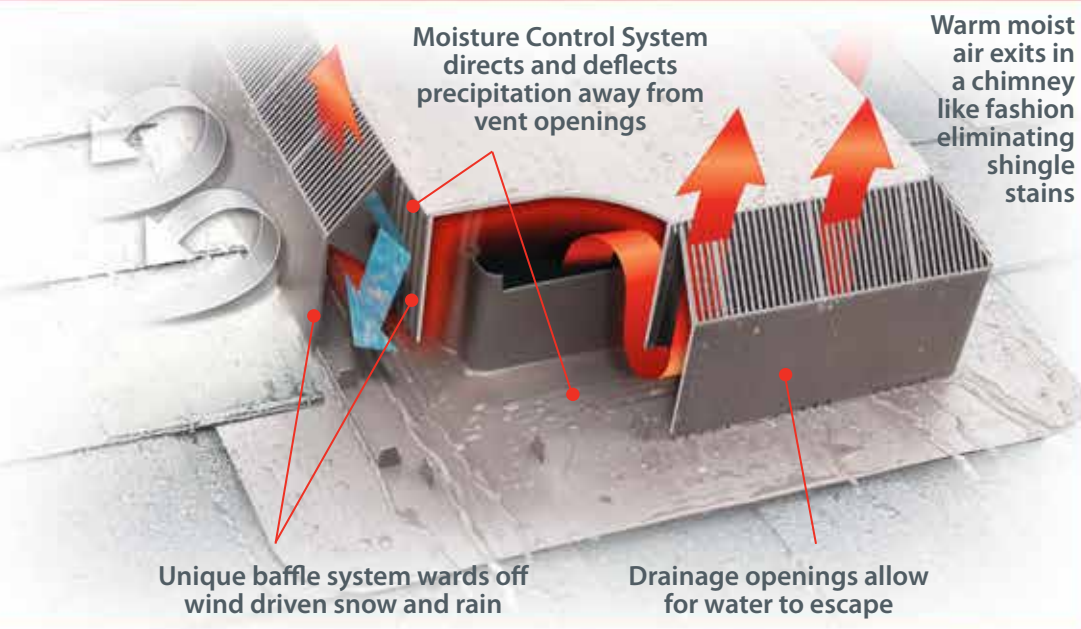


With the WeatherPRO[®] Series PRO75 you no longer need to worry about extreme weather.

The unique baffle system within the WeatherPRO[®] Series wards off wind driven snow and rain.

- Indicator lines for easy installation
- Eliminates bird nesting
- Cold impact resistant down to -40°
- UV resistant polypropylene
- CSA Approved
- 75 sq. in. of net free area

CDN. Patent 2,766,888



Moisture Control System directs and deflects precipitation away from vent openings

Warm moist air exits in a chimney like fashion eliminating shingle stains

Unique baffle system wards off wind driven snow and rain

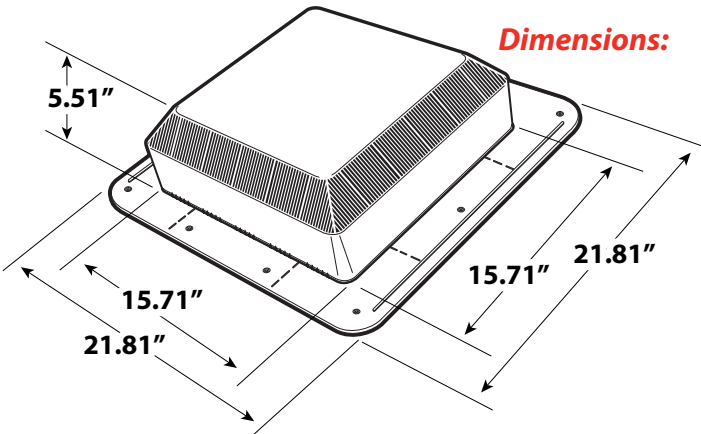
Drainage openings allow for water to escape

www.duraflo.com
1-800-461-5300

canplas[®]

Model: 60PRO75

duraflo[®] PRO75



Description:

- Unique, patented, weather infiltration protection internal baffle system
- Net free venting area of 75 sq-in / 483 sq-cm
- Four PRO75's will ventilate 1000 sq ft of attic space (approx)
- Roof pitch range 2/12 – 12/12
- Injection molded from pure, high grade polypropylene with premium UV inhibitors
- Top venting design uses chimney effect to channel moist air away from roof eliminating shingle staining
- Vent cap design with built in weeping holes eliminates bird nesting and water pooling

Standards:

- CSA Approved



Durability:

Engineered to resist denting, peeling, extreme heat and cold, impact resistant to -40°

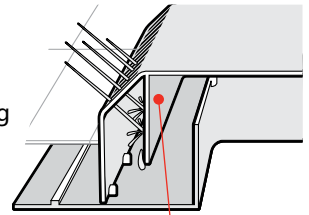
Colours:

Black, Brown, Weatherwood, Grey

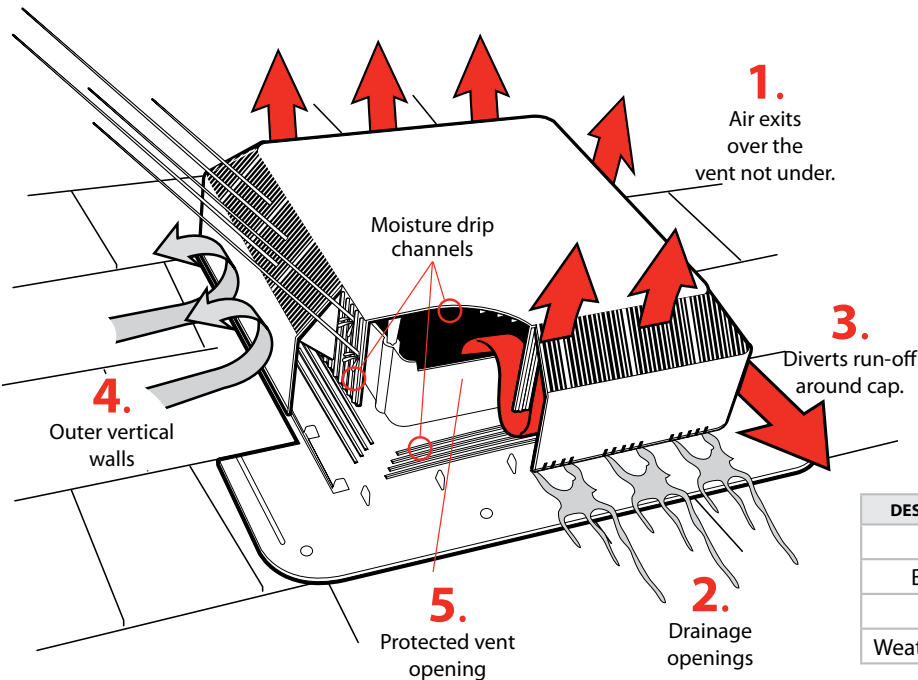
Weather Protection :



WeatherPRO's patented internal baffles deflect water and snow, allowing it to drain harmlessly out the drainage openings. Designed to allow high airflow while providing excellent defense against weather infiltration.



Interior baffle shield



1. Unique baffle system wards off driving snow and blistering rain while allowing warm moist air to exit in a chimney like fashion eliminating shingle stains.
2. Drainage openings allow for water to escape.
3. Design diverts water around vent cap.
4. The flat exterior wall acts as the first line of weather defense by deflecting driving wind over the cap and not under it like many traditional vents do.
5. The throat opening is positioned deep into the vent behind the weather protecting baffles. Also under the cap are moisture drip channels that collect fine water mist and direct it away from the opening.

DESCRIPTION	PART #	SIZE	CTN. QTY.
Black	60PRO75BL	21.81" x 21.81" x 5.51"	4
Brown	60PRO75BR	21.81" x 21.81" x 5.51"	4
Grey	60PRO75G	21.81" x 21.81" x 5.51"	4
Weatherwood	60PRO75WW	21.81" x 21.81" x 5.51"	4

Canplas Industries Ltd.

500 Veterans Dr., P.O. Box 1800
Barrie, Ontario

Canada L4M 4V3

Tel: (705) 726-3361

Fax: (705) 726-2186

Toll Free: 1-800-461-5300

duraflo[®]
WE KNOW VENTILATION

E-mail: duraflo@canplas.com
www.duraflo.com

canplas[®]