

# duraflo<sup>®</sup> PRO Ventilator



Sizes Available:



3 Tier  
130 Sq. In. NFA



2 Tier  
95 Sq. In. NFA



1 Tier  
48 Sq. In. NFA

**Extreme Weather Protection for the home**  
**High Performance Airflow**  
**"Easy Level" Adjustment System Reduces Installation Time**

The PROVentilator combines the field tested benefits of the patented WeatherPRO internal baffle system with multi stage, high volume, airflow for superior attic ventilation.

- Pivoting top with locking pitch tabs accommodate 3/12 to 12/12 roof pitches
- **55% lighter** than traditional tall vents
- Crush, dent & corrosion resistant
- UV & Cold impact resistant to -40
- Available in Black, Brown, Grey & Weatherwood
- **48 to 130 Sq. In. NFA models**

U.S. Patent 9,523,509



CATEGORY 2  
HURRICANE RATED

Large top cap improves appearance

Unique baffle system wards off wind driven snow & rain

Lower drip channels allow moisture to exit

Install then adjust to roof pitch with locking tabs

Lower deflectors help eliminate snow infiltration

Centralized pivot point

Pitch adjustment stops

[www.duraflo.com](http://www.duraflo.com)

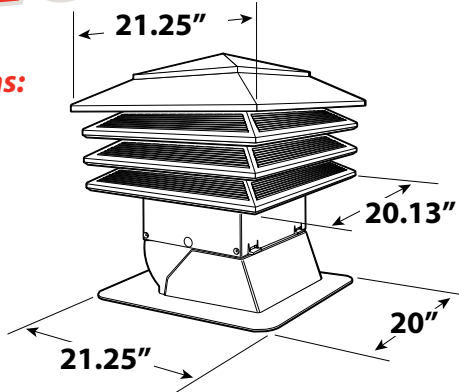
1-800-461-5300

canplas<sup>®</sup>

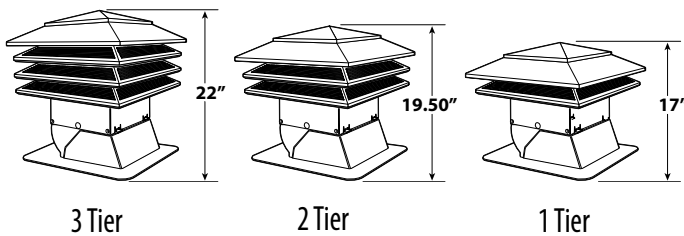
Models: 60PRO150 / 60PRO140 / 60PRO130

# duraflo<sup>®</sup> PRO Ventilator

**Dimensions:**

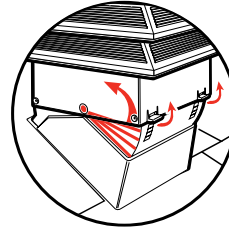


**Model Heights:**



**Description:**

The PRO Ventilator's "Easy Level" features are engineered with the contractor in mind. The lightweight, durable construction and rotating pitch adjustment system are designed to simplify the installation process saving you time and money.



The chimney style design allows the PRO Ventilator to harness wind energy and create pressure variances that powerfully draw air out from within the attic space.

Lightweight, no-assembly design makes for easy handling. Setting the pitch is quick and simple with centralized pivot points, built-in adjustment tabs and pitch stops.

**Standards:**

- CSA Approved
- Category 2 Hurricane Rated

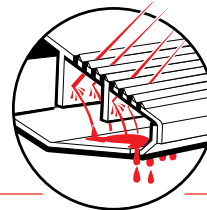


**Durability:**

Engineered polypropylene resists denting, crushing, extreme heat and is cold impact resistant to -40°

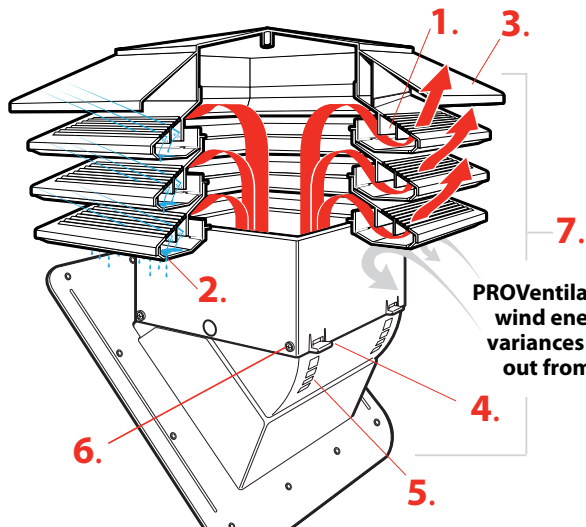
**Specifier:**

Visit [ARCAT.com](http://ARCAT.com) for complete 3-part master format specifications.



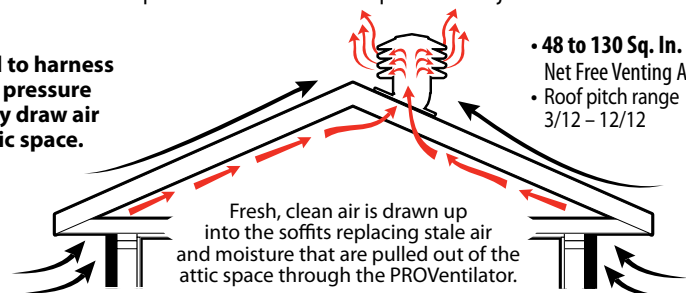
**Weather Protection:**

**WeatherPRO's** patented internal baffles deflect water and snow, allowing moisture to drain harmlessly out of the drainage openings. Designed for high airflow while providing excellent defense against weather infiltration.



1. Unique baffle system wards off wind driven snow and rain
2. External Drip tray allows moisture to drain harmlessly away from vent openings
3. Large top cap improves appearance of the roof line
4. Easily adjust to roof pitch with front and back locking tabs
5. Multiple pivot stop points for quick leveling
6. Molded in screw guides help secure vent position quickly and accurately
7. Fully assembled – no top and base attachment required on the jobsite

PRO Ventilator is designed to harness wind energy and create pressure variances that powerfully draw air out from within the attic space.



Fresh, clean air is drawn up into the soffits replacing stale air and moisture that are pulled out of the attic space through the PRO Ventilator.

- 48 to 130 Sq. In. Net Free Venting Area
- Roof pitch range 3/12 – 12/12

| 3 Tier Model: 130 Sq. In. NFA |            |                       |           |
|-------------------------------|------------|-----------------------|-----------|
| DESCRIPTION                   | PART #     | SIZE                  | CTN. QTY. |
| Black                         | 60PRO150BL | 21.25" x 21.25" x 22" | 1         |
| Brown                         | 60PRO150BR |                       | 1         |
| Grey                          | 60PRO150G  |                       | 1         |
| Weatherwood                   | 60PRO150WW |                       | 1         |

| 2 Tier Model: 95 Sq. In. NFA |            |                          |           |
|------------------------------|------------|--------------------------|-----------|
| DESCRIPTION                  | PART #     | SIZE                     | CTN. QTY. |
| Black                        | 60PRO140BL | 21.25" x 21.25" x 19.50" | 1         |
| Brown                        | 60PRO140BR |                          | 1         |
| Grey                         | 60PRO140G  |                          | 1         |
| Weatherwood                  | 60PRO140WW |                          | 1         |

| 1 Tier Model: 48 Sq. In. NFA |            |                       |           |
|------------------------------|------------|-----------------------|-----------|
| DESCRIPTION                  | PART #     | SIZE                  | CTN. QTY. |
| Black                        | 60PRO130BL | 21.25" x 21.25" x 17" | 1         |
| Brown                        | 60PRO130BR |                       | 1         |
| Grey                         | 60PRO130G  |                       | 1         |
| Weatherwood                  | 60PRO130WW |                       | 1         |

**Canplas Industries Ltd.**  
500 Veterans Dr., P.O. Box 1800  
Barrie, Ontario  
Canada L4M 4V3  
Tel: (705) 726-3361  
Fax: (705) 726-2186  
Toll Free: 1-800-461-5300



E-mail: [duraflo@canplas.com](mailto:duraflo@canplas.com)  
[www.duraflo.com](http://www.duraflo.com)

