



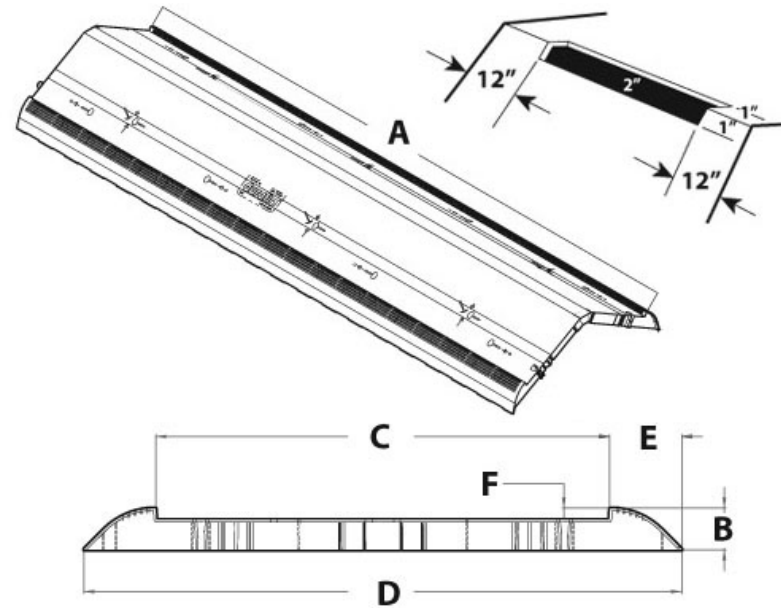
WE KNOW VENTILATION

Submittal Sheet

Part Description:
WeatherPRO Solid Ridge Vent 12" Black

Part Number:
6094BL

Approvals and Listings maintained by:
Canplas Industries Ltd
Canada: 1-800-461-5300 USA: 1-888-461-5307



Part #	Part UPC	Colour	Size (inches)	Ctn Qty	Ctn Bar Code	Ctn. Wt (Kgs)	Ctn. Wt (lbs)	Skid Cubic (m)	Skid Cubic (ft)	Ctns/Skid
6094BL	662671601872	BLACK		12	10662671601879	14.80	32.56	2.06	72.83	9

Dimensions (inches)

A	B	C	D	E	F
47.69	1.19	12.26	16.39	2.08	0.33